

G.E. ECM™ X13™ Motor by Regal Beloit Starter Kit

Starter kit provides cables and accessories needed to operate an X13 motor.

Each kit contains:

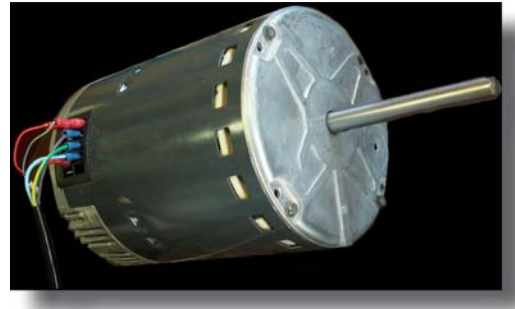
- ❖ Vspd Control
- ❖ Control Transformer *US versions only*
- ❖ Control Cable
- ❖ Power Cable
- ❖ Connection Diagram

Ordering Information

Model	Price \$US	Control Transformer	Motor Power Cable
EVO/ECM-Starter-X13-US	\$57.24	Yes	120Vac US Plug
EVO/ECM-Starter-X13-EU	\$46.33	No	240Vac EU Plug

Please order by model number from the above chart. Prices do not include shipping. Indicate the desired shipping method on the order. Fax or e-mail your order. Include your fax # or e-mail address so we can acknowledge your order. Single kit orders will ship in three working days whenever possible. Please call with any questions

Please refer to our website for a full line of ECM motor controls, or contact us with your special OEM needs.



Components:

Motor Power Cable

US Type Plug 18/3 SJT
NEMA 5-15
Molded 120Vac 3 Pin

EU Type Plug 3/1mm HO5W-F
Molded 240Vac
Continental Europe

Vspd Control

EVO/ECM-DCU-R Digitally adjusted
Vspd Control

Control to Motor Cable

Type 22x4 stranded with jacket
Length 2 Meter (6 foot)
Connectors determined by model

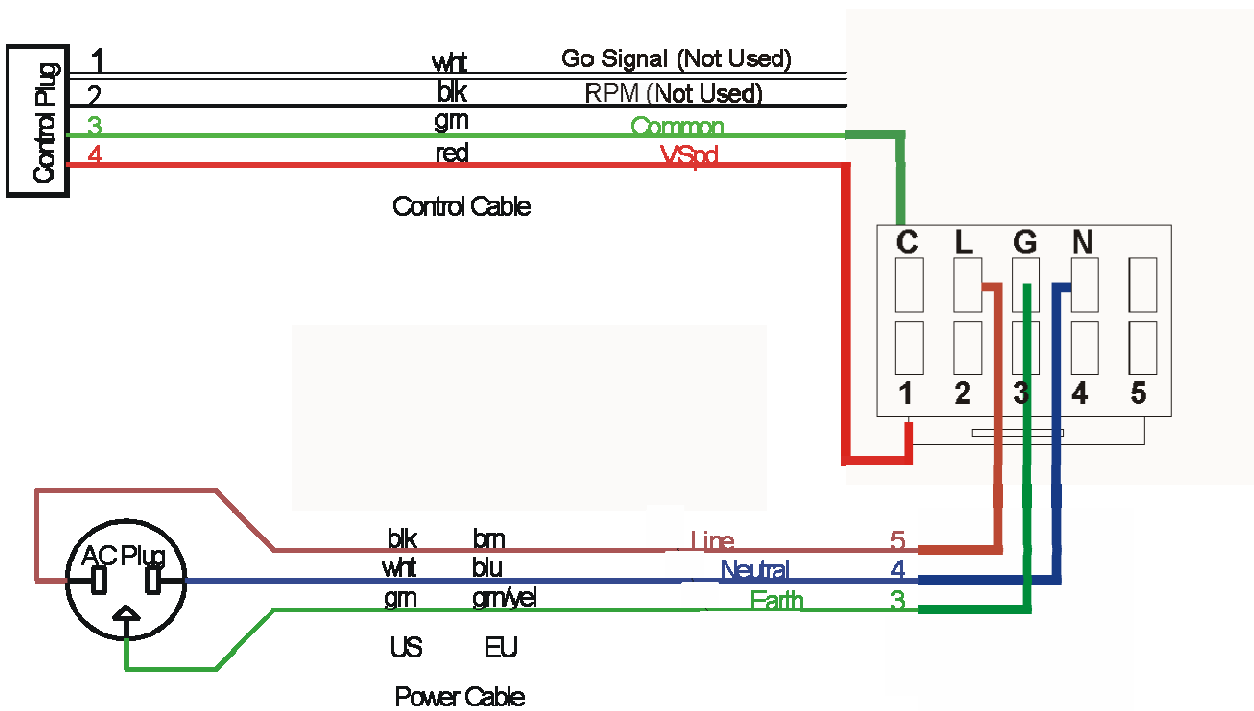
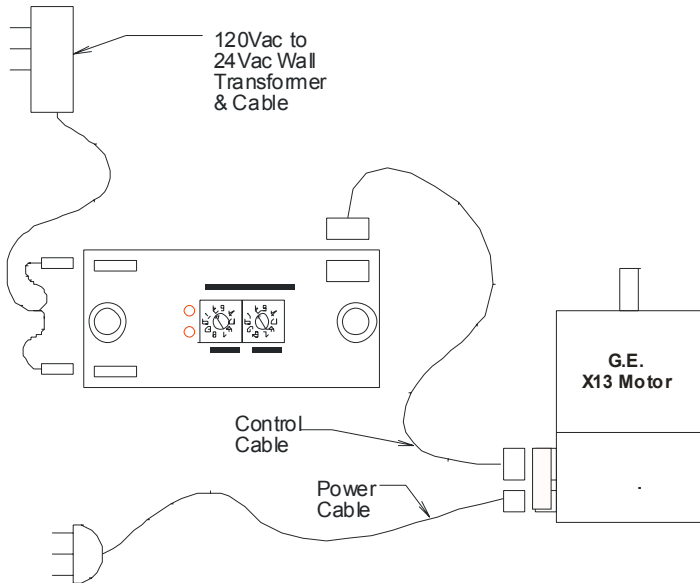
Control Power Cable

Type 18x2 stranded with jacket
Length 2 Meter (6 foot)
Connectors ¼" push-ons at one end

24 Vac Control Transformers

Size 20VA
Primary 120Vac 60 Hz
Secondary 24Vac
Package Wall Transformer

GE-ECM™-X13™ Details



EVO/ECM-X13-Starter Power & Control Cables