

Automation Interface

3 Contacts to Analog

The EVO/RNet allows a programmable HVAC or other PLC to monitor 3 contacts using a single analog input.

Features:

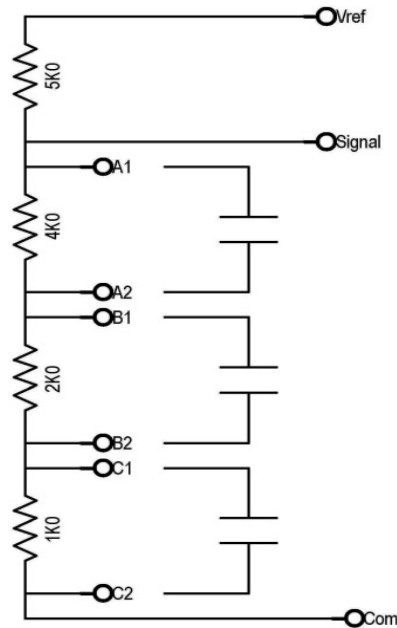
- External or on-board pull-up
- Small Footprint
- Header & Plug type connectors

The circuit outputs a different voltage for each of the eight different contact status configurations.

With a 10 V Vref and the 4K99Ω internal pull up resistor, the calculated voltage outputs =

000	0.00V
001	+1.67V
010	+2.86V
011	+3.76V
100	+4.45V
101	+5.00V
110	+5.46V
111	+5.84V

0 = contact closed
1 = contact open

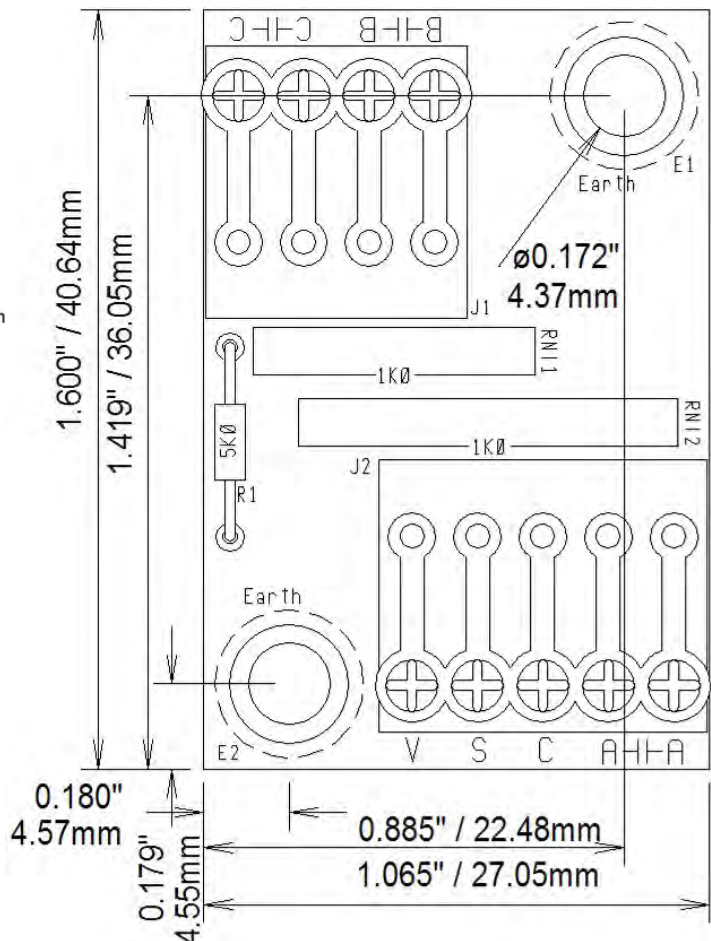
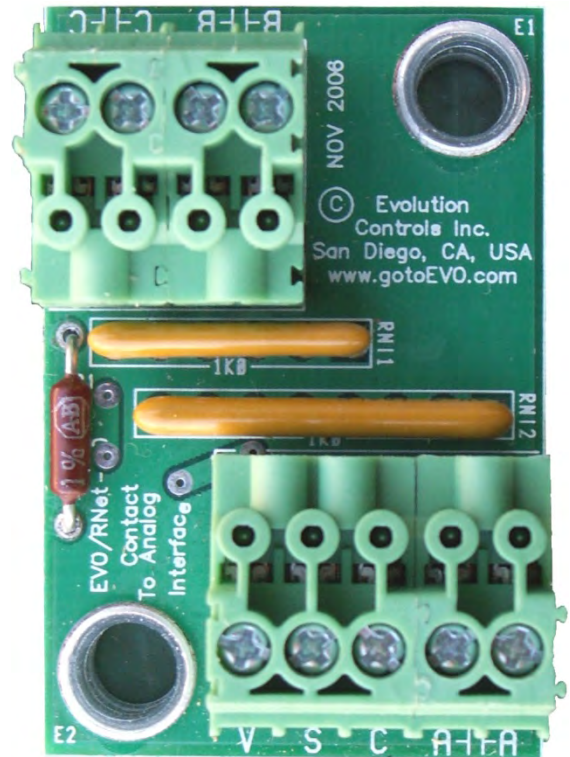


Specifications:

- Vref 10 Vdc max.
- Contact Type Dry
- Contact Circuit Resistance 30 Ω Max

Mounting

Mount to panel with #8 x 1/2" / 3.5mmx12mm Screws.



Wiring

Keep wiring short to reduce accumulated contact circuit resistance.

For long runs:

Mount the EVO/RNet near the contacts and route the signal wire to the automation panel. For long runs, shield the cable between the EVO/RNet and the automation panel. Connect the shield to earth in the automation panel. Do not connect the shield at the EVO/RNet end.

Integration

