

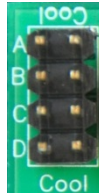
Four Line, Four Function Select

EC Motor

The EVO/ECM-TAPx4 is a 4 line, diode multiplexed function select board. The board is used to field select factory selected speeds, delays, adjusts and test. The device is compatible with Genteq¹ 2.3 & Eon 5.0 motors and other devices that use diode multiplexing to select speeds for thermostat calls.

The motors feature 4 tap lines that are associated with ~24V thermostat calls. The equipment manufacturer programs the motor to produce speed A, B, C, or D for each call.

A 4 position jumper header for each call allows a user to select speed A, B, C or D. The associated speed or function is part of the application developed by the equipment manufacturer.



Applications

Use the EVO/ECM-TAPx4 for residential and commercial applications where thermostat calls require field selection of motor output.

Ordering

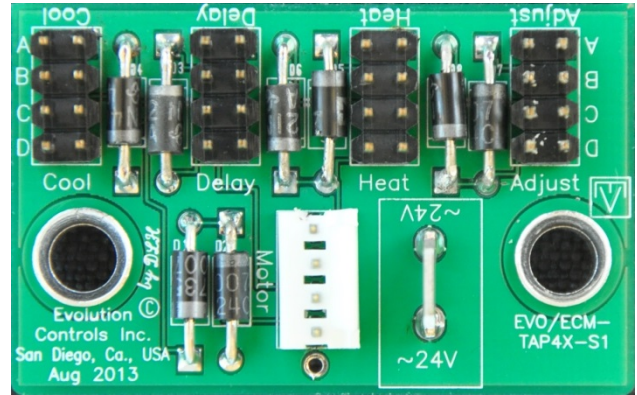
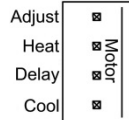
- Board EVO/ECM-TAPx4
- Cable EVO/ECM-TPC-?? (??=length in feet)
- Purchasing *Please include these model numbers in your part description.*

Wiring

Source the lines from a ~24V NEC Class II power limited transformer². Observe all code requirements and follow all safety practices regarding low voltage power supplies and circuits to insure a safe, reliable installation.



Mount to panel using #8 flat or oval head screws. The countersink taper centers the installed board and forces a good earth between the metal mounting post and pc board.



EVO/ECM-TAPx4

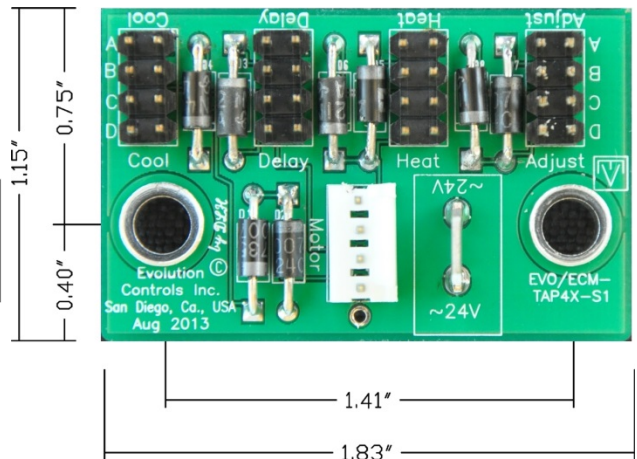
Specifications

- Input NEC Class II or equal
 24 Vac ± 20% 50/60 Hz
- PC Board 62 mil, 1 oz. cu, FR4
- Outputs 4 jumper-multiplexed TAP lines for up to 6 motors in parallel.
- Operating Environment 0 °F to 140 °F (-18°C to 55°C)
 10-80% rh

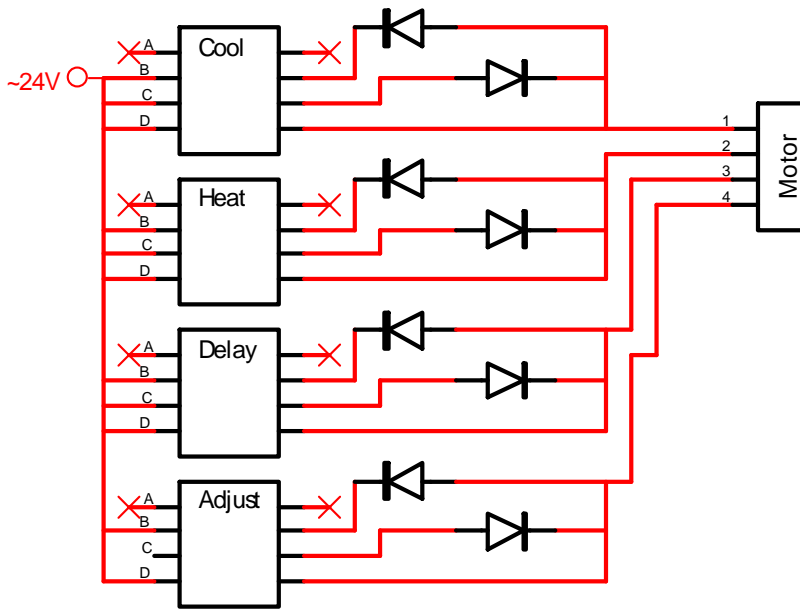
Mounting

Leave clearance for the ~24V lines and control cable. Mount the control so the jumper headers are visible and accessible.

Keep high voltage wiring away from TAPx4 circuitry or wiring. Follow electrical code requirements for separation of high and low voltage wiring and components.



¹ Genteq & Eon are registered trademarks of Regal-Beloit Corp.
² See NEC^{USA} 725.41



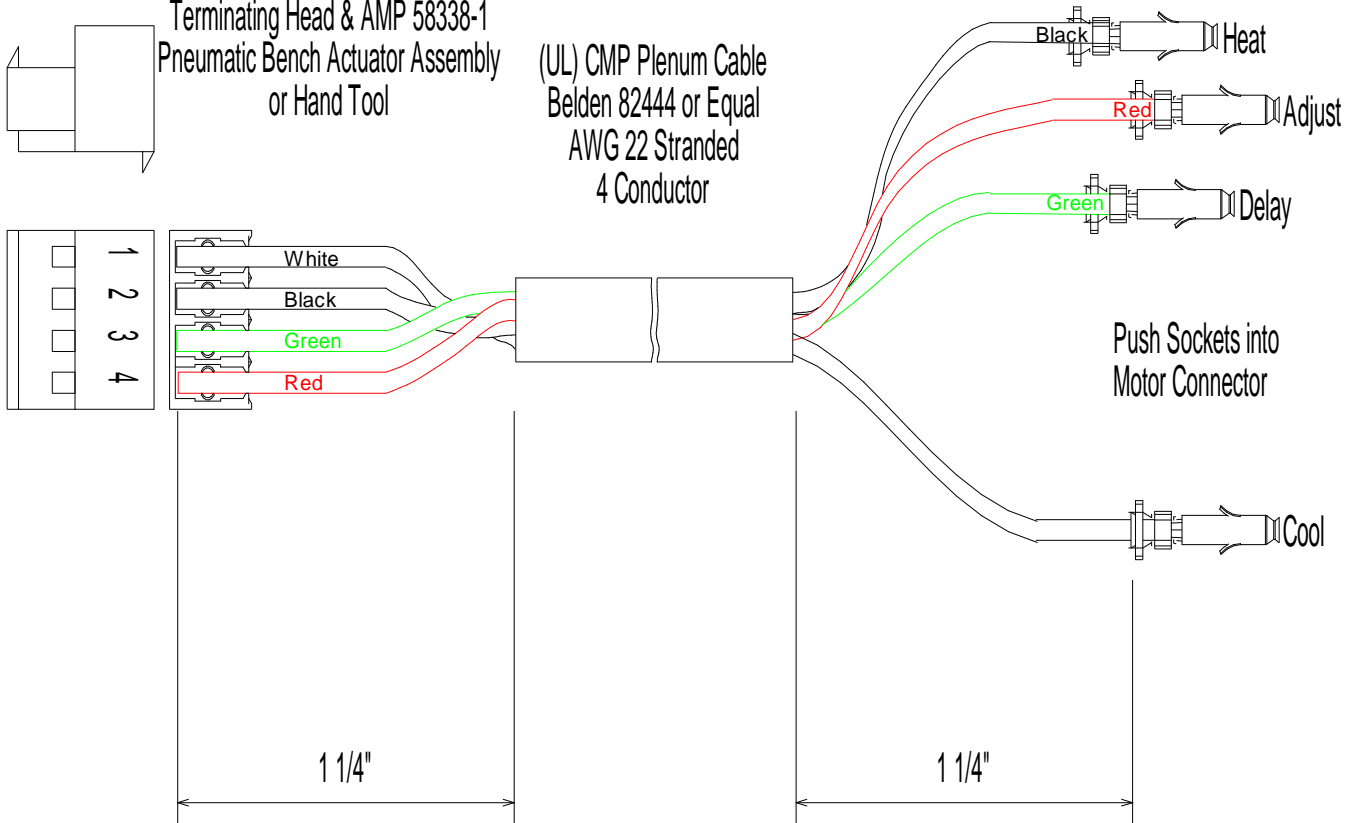
UL 94V-0 Cable End Connector
 AMP MTA-100 IDC Series
 AMP p/n 640440-4

AMP p/n 770988-1 (socket)

To fasten sockets, use ratchet hand tool, or
 pneumatic actuator. Contact AMP tooling
 department for options.

To Fasten Connector, use AMP 58246-1
 Terminating Head & AMP 58338-1
 Pneumatic Bench Actuator Assembly
 or Hand Tool

(UL) CMP Plenum Cable
 Belden 82444 or Equal
 AWG 22 Stranded
 4 Conductor



Push Sockets into
 Motor Connector

EVO/ECM-TPC-?? (??=*length in feet*)