

3 Point Floating to 10V Signal Interface

Application

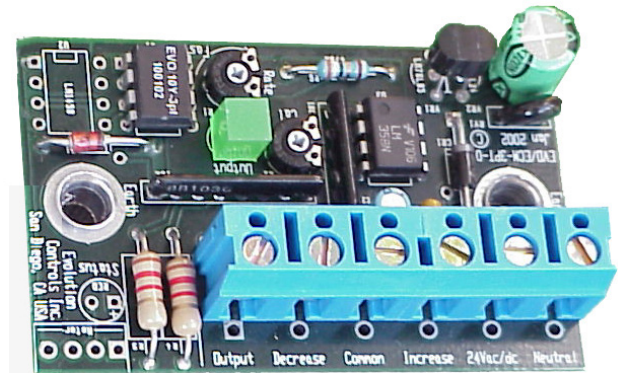
The 10Y-3 Point Interface allows 0-10Vdc devices to be connected to automation equipment designed for 3-point floating actuators. The interface may also be used with increase/decrease buttons.

A signal at the interface's increase input gradually increases the 0-10Vdc signal. A signal at the interface's decrease input gradually decreases the 0-10Vdc signal. The rate of increase/decrease may be adjusted from 45 to 360 seconds. This feature allows 0-10Vdc device speeds to be slowed to the timing expected by 3 point floating automation controls.

A green lamp continually flashes out the output signal voltage.

Specifications

Power	NEC Class II Only 24 Vac \pm 20% 50/60 Hz 15-24 Vdc 1 W, 2 VA
Signal Output	0-10Vdc \pm 2%, 5 mA Max.
Increase/Decrease Inputs	24Vac \pm 20% 10-24Vdc (<i>doubles rate</i>)
Rate Adjust	45 to 360 Seconds
Thermal Stability	>0.01%/°F
Operating Environment	0°F to 130 °F -18°C to 55°C 10-80% rh



EVO/10Y-3PT-CON

Control Sequence

On power up, the output is 0 Vdc. When power is applied to the increase input, the output increases at an adjustable rate until power to the increase input is removed. The output decreases at the same rate when power is applied to the decrease input. The 10Y-3PT holds this value until a signal is applied to the increase or decrease input, or until power is removed from the control. The output ceases to decrease when the output reaches 0 Vdc and ceases to increase when the output reaches 10Vdc. Applying power to the increase and decrease inputs at the same time keeps the output at the same value.

The rate is the time required for the output to travel from 0 Vdc to 10 Vdc. The rate is adjustable from 45 seconds to 360 seconds (6 minutes).

When DC signals are used to increase and decrease, the rate is 23 seconds to 180 seconds (twice as fast).

Ordering

Contractor Version EVO/10Y-3PT- CON

6 Place Terminal Strip for Field Wiring



OEM Version

EVO/10Y-3PT-OEM

6 1/4 " TAB Connections for Factory Wiring

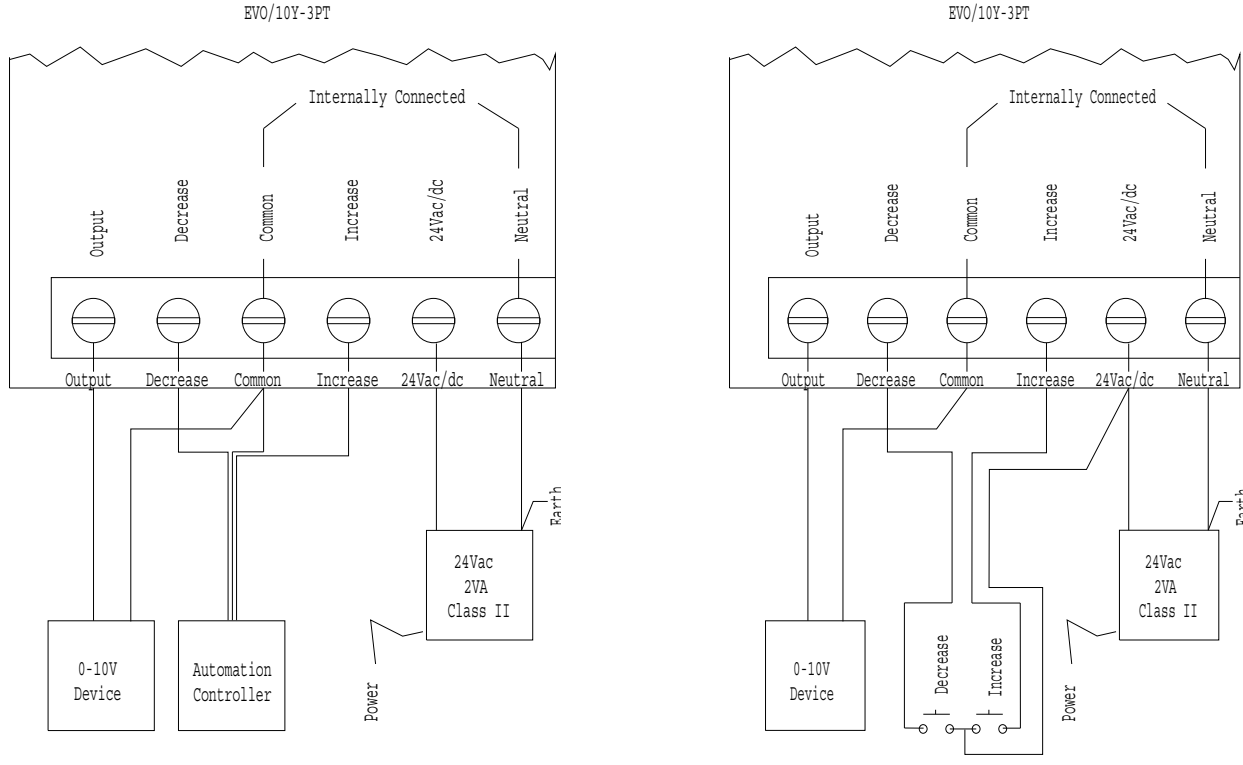


ADD an -R extension to order the LED Indicator on the back.

Wiring

Power the EVO/10Y-3PT interface with a 24 Vac NEC Class II power source. Observe all code requirements regarding Class II circuits to insure a safe, reliable installation. Connect the neutral connection to the grounded side of the 24 Vac Class II power source as required by code.

Connect the 24Vac 50/60Hz connection to the hot side of the 24 Vac Class II power source.



Mounting

The controller should be mounted inside a metal control cabinet or enclosure. The "R" version may be mounted to an inside cabinet wall where viewing the indicators without opening the cabinet is desired.

Mount the controller with clearance for the 24 Vac power wires, increase/decrease wiring and control signal wiring. Make sure the rate adjustment is visible and accessible to the field technician.

