

### GE ECM™ Motor Starter Kits

Starter kits provide cables and accessories needed to operate a GE ECM motor.

Each kit contains:

- ❖ Vspd Control
- ❖ Control Transformer *US versions only*
- ❖ Control Cable
- ❖ Power Cable
- ❖ Connection Diagram

#### Ordering Information

Model	Price \$US	Control Transformer	Motor Power Cable
EVO/ECM-Starter-142-US	\$54.75	Yes	120Vac US Plug
EVO/ECM-Starter-142-EU	\$44.64	No	240Vac EU Plug
EVO/ECM-Starter-2.3-US	\$58.34	Yes	120Vac US Plug
EVO/ECM-Starter-2.3-EU	\$47.43	No	240Vac EU Plug
EVO/ECM-Starter-84 <sup>mm</sup> -US	\$56.86	Yes	120Vac US Plug
EVO/ECM-Starter-84 <sup>mm</sup> -EU	\$45.95	No	240Vac EU Plug

All Models Include: Motor Power Cable  
Vspd Control  
Control to Motor Cable  
Control Power Cable

Please order by model from the above chart. Prices do not include shipping. Indicate the desired shipping method on the order. Fax or e-mail your order. Include your fax # or e-mail address so we can acknowledge your order. Single kit orders will ship in three working days. Please call with any questions

Please refer to our website for a full line of ECM motor controls, or contact us with your special OEM needs.



#### Components:

##### Motor Power Cable

US	Type Plug	18/3 SJT NEMA 5-15 Molded 120Vac 3 Pin
	Length	6 Foot
EU	Type Plug	3/1mm HO5W-F Molded 240Vac Continental Europe
	Length	2 Meter

##### Vspd Control

EVO/ECM-DCU-R	Digitally adjusted Vspd Control
---------------	------------------------------------

##### Control to Motor Cable

Type	22x4 stranded with jacket
Length	2 Meter (6 foot)
Connectors	determined by model

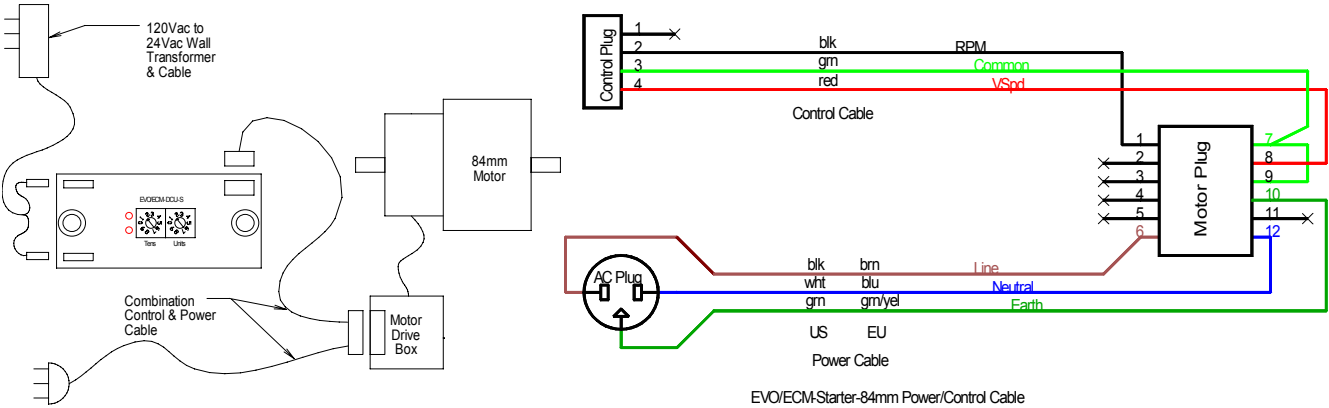
##### Control Power Cable

Type	18x2 stranded with jacket
Length	2 Meter (6 foot)
Connectors	¼" push-ons at one end

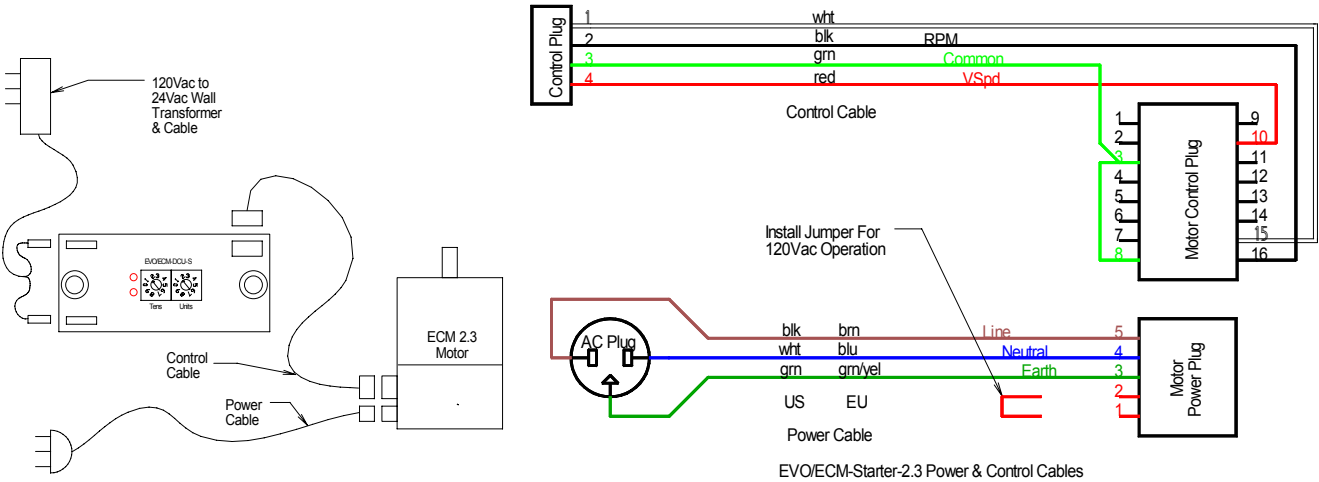
##### 24 Vac Control Transformers

Size	20VA
Primary	120Vac 60 Hz
Secondary	24Vac
Package	Wall Transformer

GE-ECM™-84mm Details



GE-ECM™-2.3 Details



GE-ECM™-142 Details

